

# ***SIDE- POWER***

*Thruster systems*

**SP 55 S 12/24V**

**SP 75 T 12/24V**

**SP 95 T 24V**

**SP 125 T 24V**

**SP 155 TC 24V**

**Keep this  
manual onboard !**



## ***IPC upgrade kit (for 6 1226Bwiring loom)***

***Upgrades your existing Sidepower thruster (1998 or newer) to include the latest safety functions.***



**SLEIPNER MOTOR AS**

P.O. Box 519

N-1612 Fredrikstad

Norway

Tel: +47 69 30 00 60

Fax: +47 69 30 00 70

[www.side-power.com](http://www.side-power.com)

[sidepower@sleipner.no](mailto:sidepower@sleipner.no)



© Sleipner Motor AS 2005

Made in Norway

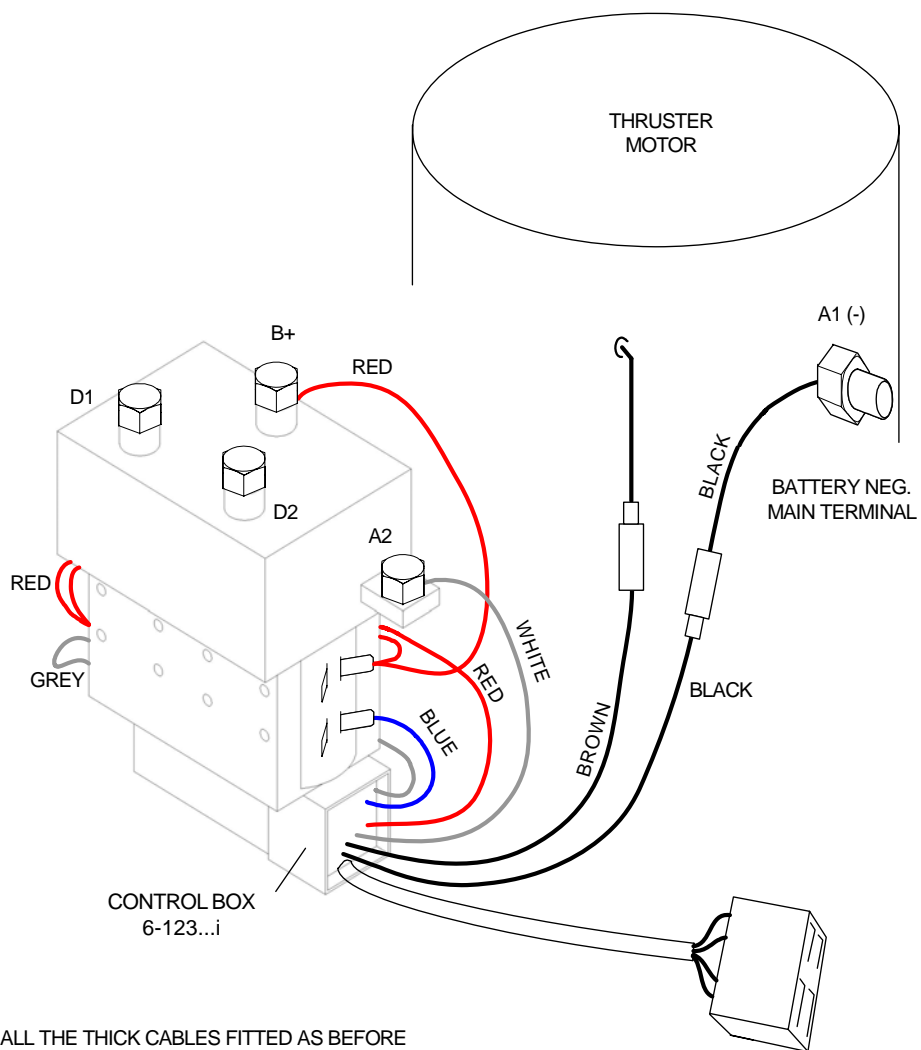
## Kit consists of

- 1 pcs. Control box (6 123...i)**
- 1 pcs. Wiring loom (6 1226B)**
- 1 pcs. Negative terminal / black cable (R10)**

## Upgrade procedure (refer to drawing on next page)

- 1** Disconnect thruster batteries by disconnecting the mainswitch(es).
- 2** Disconnect the 4 way connector on the existing wiring loom (internal thruster wiring loom).
- 3** Disconnect the two cable connections on both sides of the solenoid (2 x red, 1 x blue and 1 x grey).
- 4** Loosen the middle bolt on top of the solenoid and remove the red cable.
- 5** Disconnect the 1 way connector on the thin wire coming out of the electric motor (overtemperature function).
- 6** Remove existing wiring loom and control box.
- 7** Install the (R10) negative cable (included in kit) on the A1 terminal (battery negative) torque = 15 Nm.
- 8** Install the new control box (6 123...i) with the new wiring loom (6 1226B) on the existing holding bracket.
- 9** Connect blue, grey and red wires to the solenoid in accordance to the drawing on the next page. Torque for the nut on B+ = 8 Nm.
- 10** Loosen A2 cable and install new white cable with circular cable shoe, between the spring washer and A2 cable. Torque = 8 Nm.
- 11** Connect the black wire with the 1 way contact in the wiring loom, to the 1 way contact coming from A1 terminal.
- 12** Connect the brown wire with the 1 way contact in the wiring loom, to the 1 way contact coming from the electric motor (overtemperature function).
- 13** Check that the connections are in accordance to the drawing on the next page.

## New internal wiring

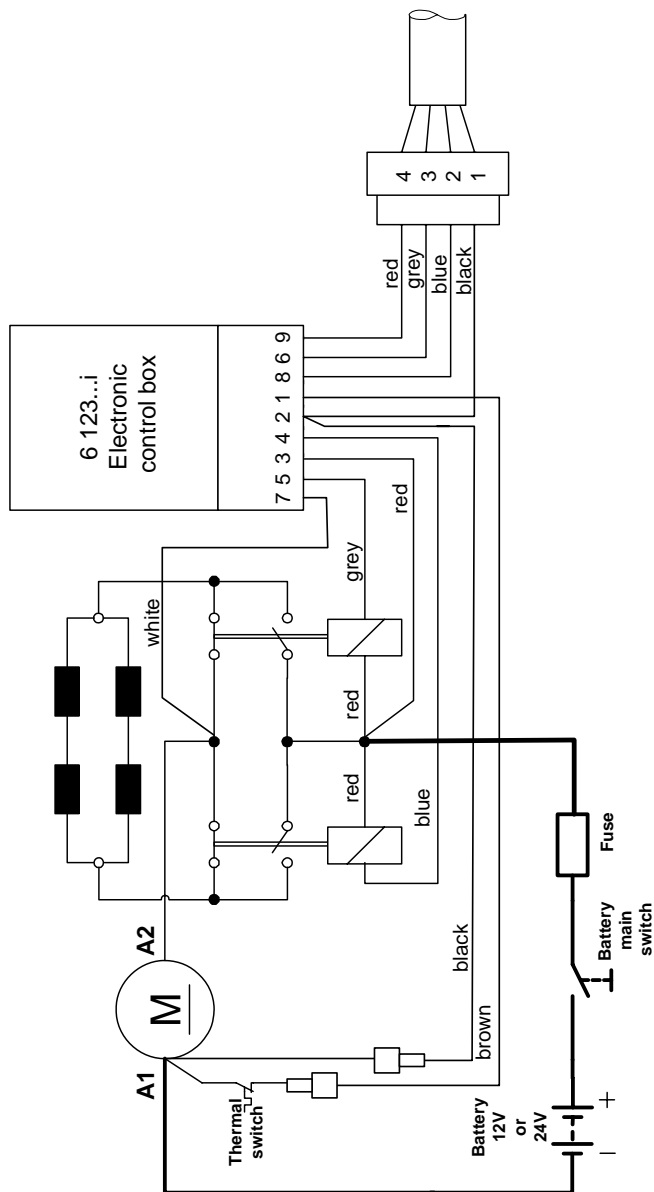


ALL THE THICK CABLES FITTED AS BEFORE

DISTURBED SOLENOID NUTS AND BOLTS (A2 AND +) MUST BE TORQUE LOADED TO 8 Nm.

4-WAY CONNECTOR TO  
PANEL OR SIDEPower  
AUTOMATIC MAIN SWITCH

# Wiring diagram with IPC control box



**SLEIPNER MOTOR AS**

P.O. Box 519  
N-1612 Fredrikstad  
Norway

Tel: +47 69 30 00 60  
Fax: +47 69 30 00 70

[www.side-power.com](http://www.side-power.com)  
[sidepower@sleipner.no](mailto:sidepower@sleipner.no)



© Sleipner Motor AS 2005

Made in Norway