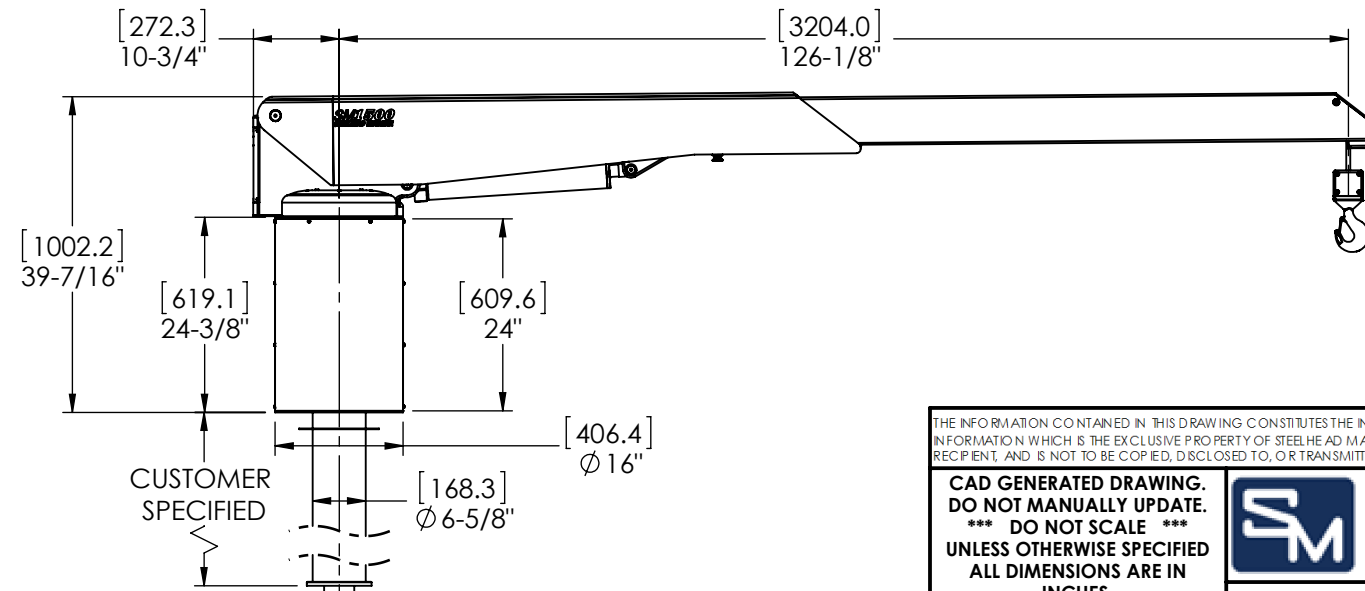
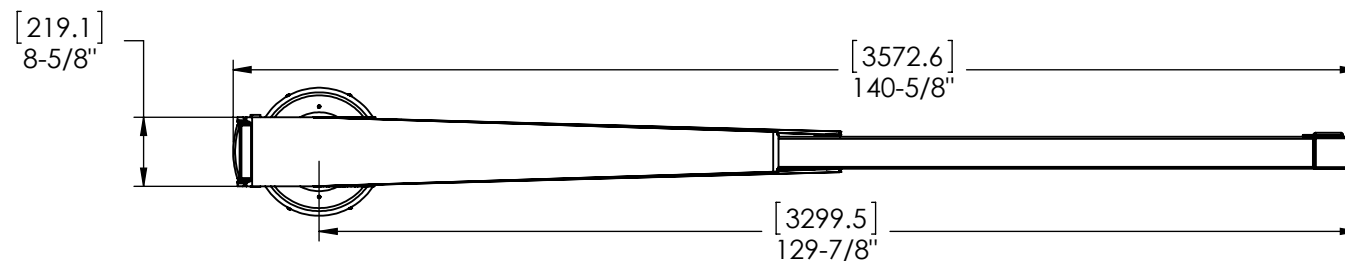
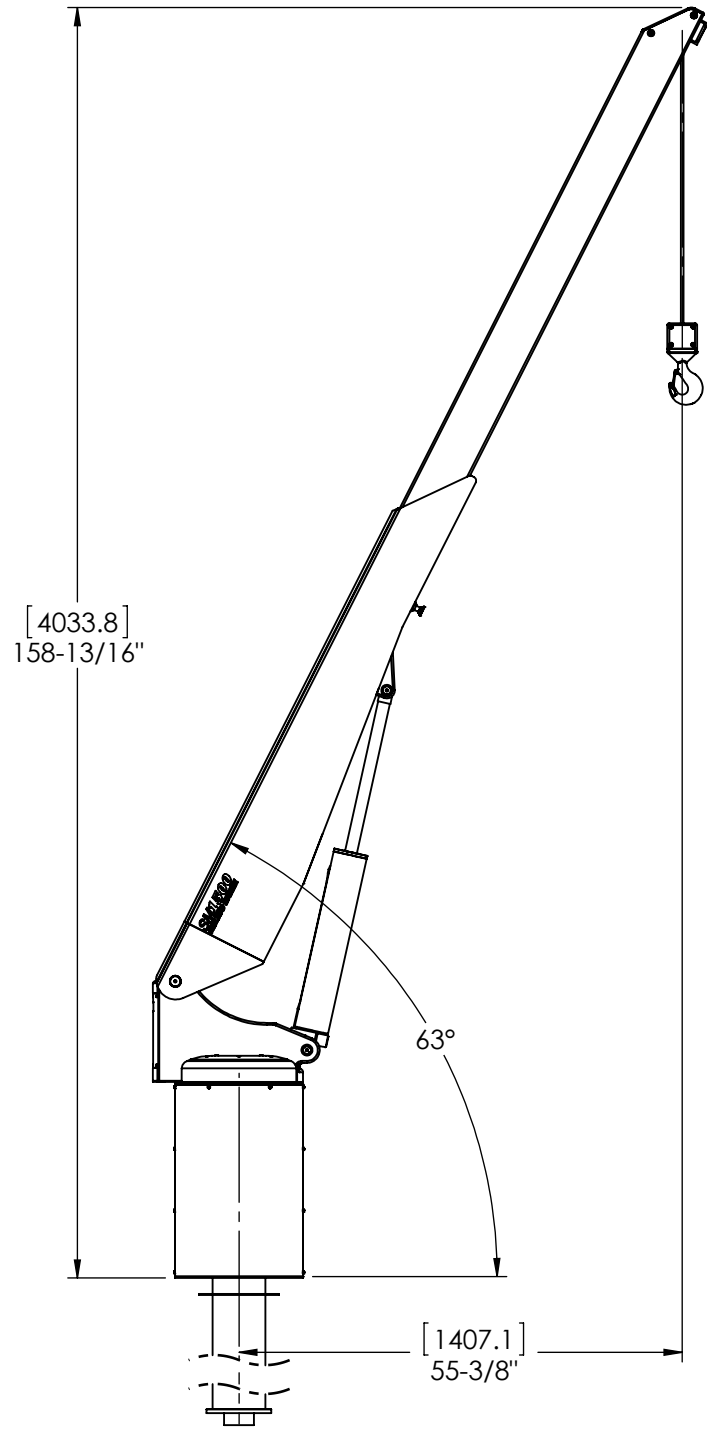
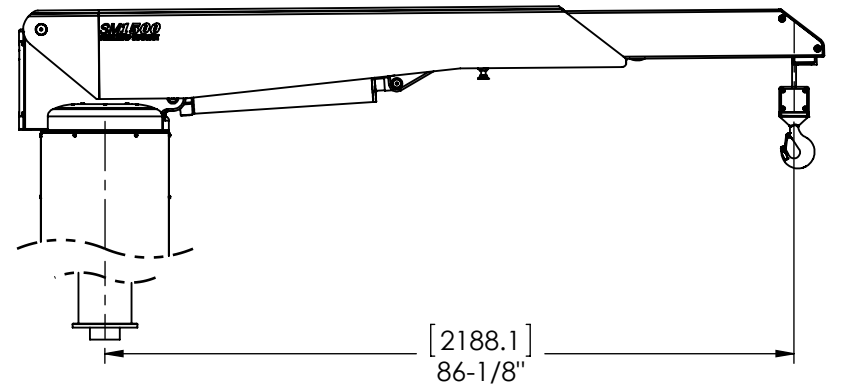
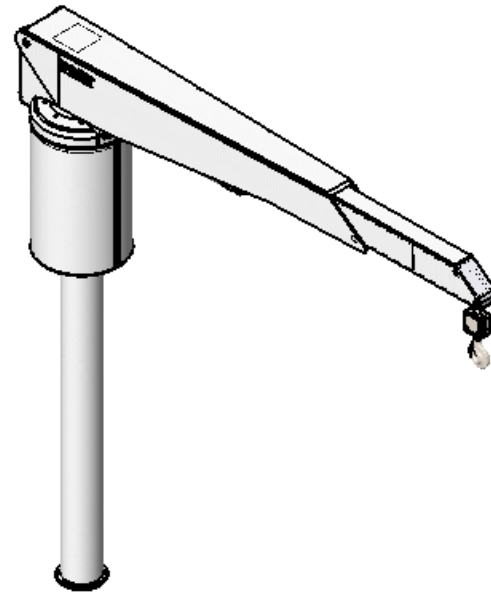
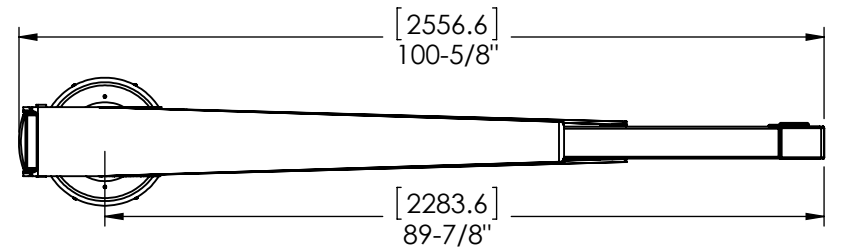
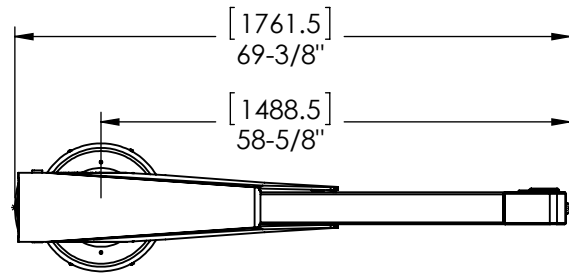


SM1500 10.5ft(Extended) Assembly Standpipe Mounting Option



THE INFORMATION CONTAINED IN THIS DRAWING CONSTITUTES THE INTELLECTUAL PROPERTY, INCLUDING, BUT NOT LIMITED TO, KNOWLEDGE, TRADE SECRETS, AND PROPRIETARY INFORMATION WHICH IS THE EXCLUSIVE PROPERTY OF STEELHEAD MARINE LTD.. ALL INFORMATION CONTAINED IN THIS DRAWING IS TO BE HELD IN THE STRICTEST CONFIDENCE BY THE RECIPIENT, AND IS NOT TO BE COPIED, DISCLOSED TO, OR TRANSMITTED TO ANY THIRD PARTIES WITHOUT THE EXPRESS WRITTEN AUTHORIZATION OF STEELHEAD MARINE LTD.

CAD GENERATED DRAWING. DO NOT MANUALLY UPDATE. * DO NOT SCALE *** UNLESS OTHERWISE SPECIFIED ALL DIMENSIONS ARE IN INCHES.**

TOLERANCES:
FRACTIONS = ±1/16
0, 0.0 = ±0.030
0.00 = ±0.010
0.000 = ±0.005
ANGLES = ±1.0

3rd ANGLE PROJ.

STEELHEAD MARINE
Unit# 2 - 5367 271 Street, Langley, B.C. Canada
Tel: 604-607-0091 Fax: 604-607-0092
Web: www.steelheadmarine.net
E-mail: sales@steelheadmarine.net

DRAWN:	G.B.	SM1500 ASSEMBLY MOUNTED ON STANDPIPE PROJECT: SM1500	DWG. NO.:	SHEET:	REV.:
DATE:	4/11/2014				
CHECKED:		SM15-10.5ft ASSEMBLY	1 OF 1		
APPROVED:					
SCALE:	1:24				