

7171

FULL FOLLOW UP (FFU) CONTROL LEVER



Putting you in control.

The Kobelt 7171 Full Follow Up (FFU) Control Lever is used as a command input to FFU electronic steering systems. Up to two potentiometers have trimmable outputs for range offsetting. This device can be used as either the primary steering device or for non-follow up (NFU) back-up steering control with the selection of switches.

Constructed of robust bronze and stainless steel, this device can be installed at any location on the vessel and will provide a long service life in all marine environments. The 7171 comes in a combined black and polished chrome finish.

Specifications

Handle Travel:	45° (per direction)
Control Potentiometer:	1kΩ, 5kΩ, or 10kΩ
Electric Angle:	288°
Max Potentiometer Power:	1 W
Electrical Switch Contacts:	Form A, Normally Open (per direction)
Maximum Switch Voltage:	250 VAC / 32 VDC
Maximum Switch Current:	10 A (per switch)
Connection:	80 in [2m] pigtail, 18 AWG [0.75 mm ²]
EMC Immunity:	per IEC 60945
IP Rating ¹ :	IP56 (above console)
Operating Temperature:	-13°F ... 158°F [-25°C ... 70°C]
Finish:	Polyester powder coat Textured black
Product Weight:	5.0 lbs [2.2 kg]
Approvals:	ABS (20-2067473-PDA)

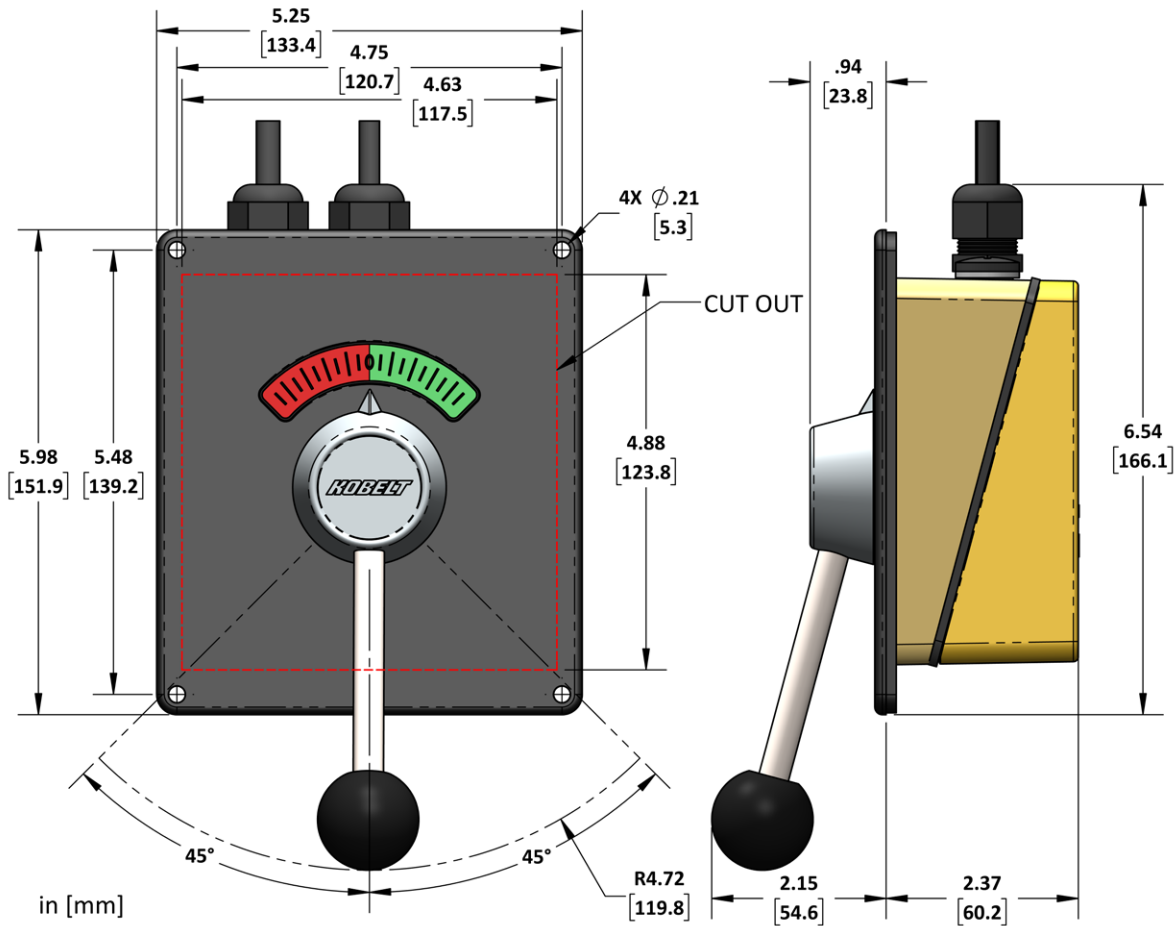
Key Benefits

- ABS type approved
- Water-tight, corrosion resistant design
- Easy to install and operate
- Bronze and stainless steel construction
- Available in many configurations
- FFU & NFU steering commands in one device

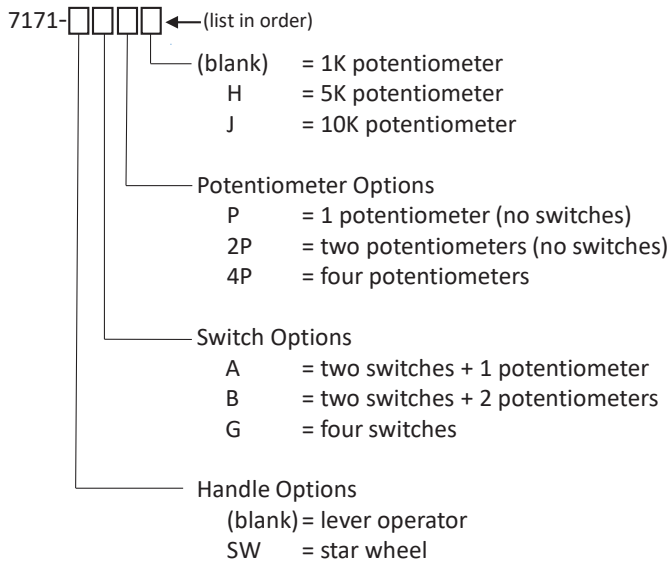
¹ Requires sealed mounting screws and 3/16 in [5mm] thick console (minimum)

SPECIFICATIONS

General Arrangement



Model Code Key



7171-B Wiring Diagram

