

MODEL 7172 ELECTRONIC HELM

The Model 7172's basic purpose is to provide an electronic signal to the hydraulic steering gear for positioning of the rudder.

Normally the 7172 is equipped with two potentiometers:

The first potentiometer will be used with an interface such as Model 7173-K to move the rudder in either port or starboard direction. When used in conjunction with our 7168 or 7174 feedback unit, the 7172 could provide precise rudder positioning.

The second potentiometer can be used to indicate rudder demand while the actual rudder position is fed back via the 7168 or 7174 to separate rudder angle indicator.

The construction of our 7172 is all bronze and stainless steel and is designed to give years of trouble-free service. Straight ahead detent is provided. The wheel has approximately three turns from

hardover to hardover giving a comfortable range of control.

The heavy duty construction allows the helmsman to hang on to the wheel in the roughest weather without causing any damage to this unit.

ORDERING INFORMATION

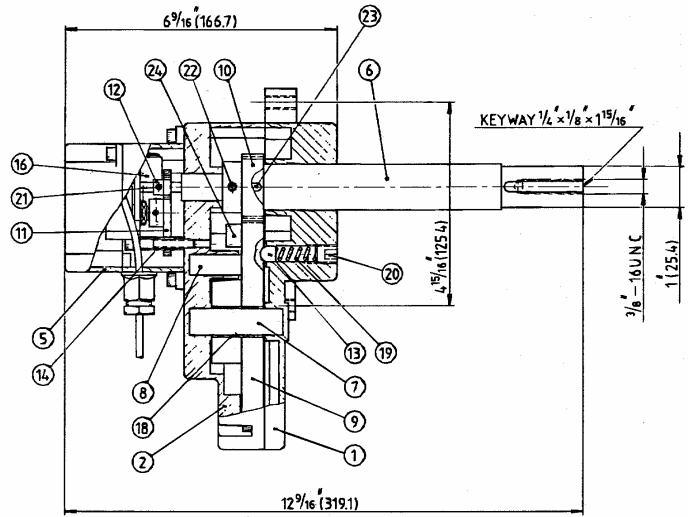
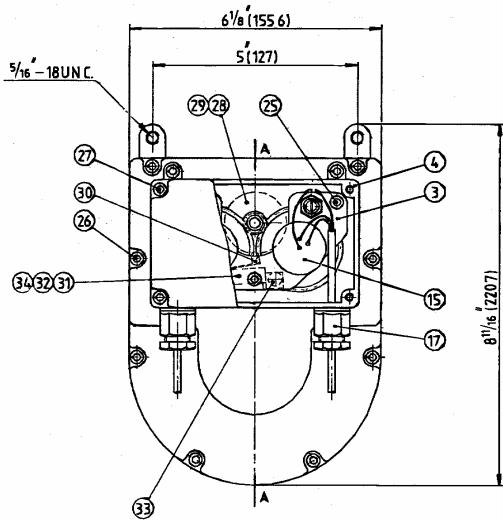
B = Black Face Plate
O = 1 turn hardover to hardover
P = 1 Potentiometer
PP = 2 Potentiometers

Example:
7172-BP = Black face plate with 1 potentiometer

Note: Standard unit comes with 1K potentiometer; black face plate and 3-turns hardover to hardover setting

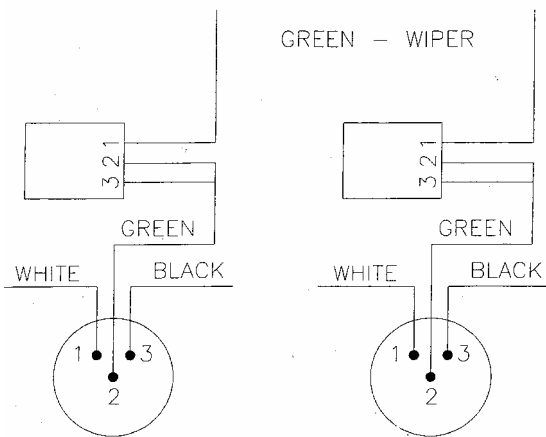
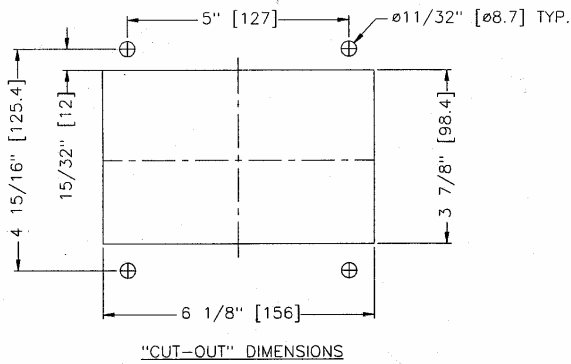
Weight: 22 lbs. (10 kg)

DIMENSIONS AND PARTS LIST MODEL 7172



SECTION A-A

WARNING: Mounting screw should not be longer than the thickness of the mounting panel plus 1/2 inch. Larger screws could damage the internal gear.



Wiring Diagram

Item	Qty	Part Number	Description
1	1	7172-0001	Front Housing
2	1	7172-0002	Back Housing
3	1	7172-0003	Bracket (2 pots)
4	1	7172-0004	Pot Housing
5	1	7172-0005	Pot Housing cover
6	1	7172-0006	Long Shaft
7	1	7172-0007	Main Gear Shaft
8	1	7172-0008	Friction Plug
9	1	7172-1009	Gear - 80T
10	1	7172-0010	Gear - YSS 1624 (Browning)
11	2*	YPB-3264	Gear
12	1	Y-3216	Gear
13	1	7172-0013	Detent
14	3	7174-0008	Spacer
15	2*	POT-1	Potentiometer- 1K
16	2*	6002-4003	Trim Pot - 10K
17	2*	6001-0248	Cable Gland
18	1	1310-724-3	Bushing
19	1	1201-0181	Spring
20	1	1016-1308	Hex Socket Set Screw
21	2	1016-0602	Hex Socket Set Screw
22	1	1024-1020	Spring Pin
23	1	7005-0020	Key
24	1	1002-1208	Hex Socket Hd Cap Screw
25	3	1002-0824	Hex Socket Hd Cap Screw
26	8	1002-0808	Hex Socket Hd Cap Screw
27	8	1002-0806	Hex Socket Hd Cap Screw
28*	1	7172-0014	Cam - micro switch
29*	1	1016-0804	Socket Set Screw
30*	1	6001-0111	Micro switch
31*	1	2011-0007	Bracket
32*	2	1004-0208	Round Hd Slotted Screw
33*	1	1010-0806	Round Hd Phillips Screw
34*	2	1022-0102	Hex nut
35*	1	1101-0021	"O" ring
36	1	7005-0020	Key

* non- standard options