

NOVIBRA Panel Latch

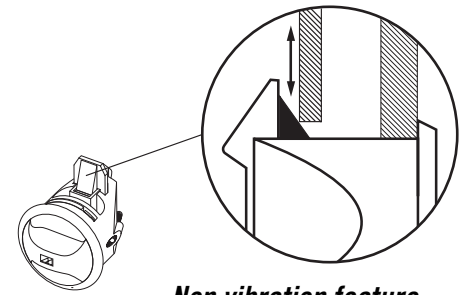
PANEL THICKNESS RANGE: 3 – 22mm (1/8” – 7/8”)

The Novibra is designed for hatches, doors, drawers, cockpit lockers, and similar type applications. The Novibra helps eliminate noise in the hatch, doors or drawers caused by engine vibration.

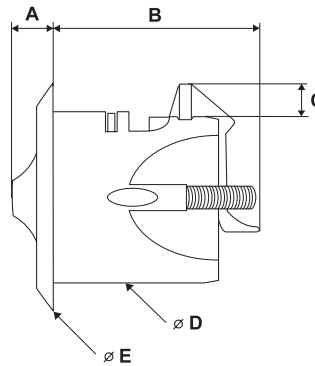
- Fast, easy installation
- Weatherproof face
- Long bolt travel with an adjustable striker plate

Available Options:

Colors: Choose from Black, White, Chrome, Diamond Brass, and Satin, in any combination of Cup and Handle.
 Additional colors and custom color-matching available on request.
 Contact Southco for details.



Non vibration feature



	Imperial		Metric
	Nominal	Decimal	
A	15/32	.472	12
B	1 3/4	1.752	44.5
C	13/32	.406	10
D	1 1/2	1.5	38
E	1 3/4	1.76	44.7

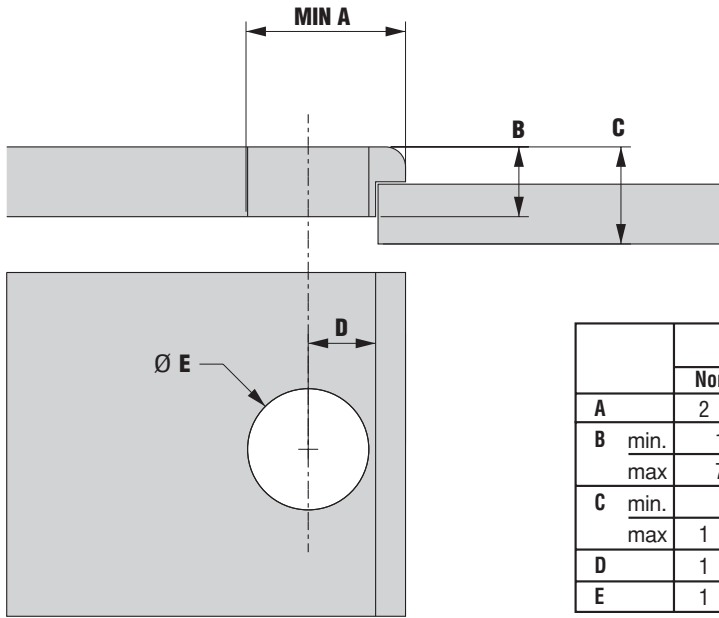
NOVIBRA TYPE 1 (FOR DRAWERS) PART NUMBERS

Body Color Black						Body Color White					
Cup Color	Black	White	Chrome	Diamond Brass	Satin	Cup Color	Black	White	Chrome	Diamond Brass	Satin
Handle Color						Handle Color					
Black	MP-01-103-555	MP-01-103-575	MP-01-103-515	MP-01-103-545	MP-01-103-525	Black	MP-01-103-755	MP-01-103-775	MP-01-103-715	MP-01-103-745	MP-01-103-725
White	MP-01-103-557	MP-01-103-577	MP-01-103-517	MP-01-103-547	MP-01-103-527	White	MP-01-103-757	MP-01-103-777	MP-01-103-717	MP-01-103-747	MP-01-103-727
Chrome	MP-01-103-551	MP-01-103-571	MP-01-103-511	MP-01-103-541	MP-01-103-521	Chrome	MP-01-103-751	MP-01-103-771	MP-01-103-711	MP-01-103-741	MP-01-103-721
Diamond Brass	MP-01-103-554	MP-01-103-574	MP-01-103-514	MP-01-103-544	MP-01-103-524	Diamond Brass	MP-01-103-754	MP-01-103-774	MP-01-103-714	MP-01-103-744	MP-01-103-724
Satin	MP-01-103-552	MP-01-103-572	MP-01-103-512	MP-01-103-542	MP-01-103-522	Satin	MP-01-103-752	MP-01-103-772	MP-01-103-712	MP-01-103-742	MP-01-103-722

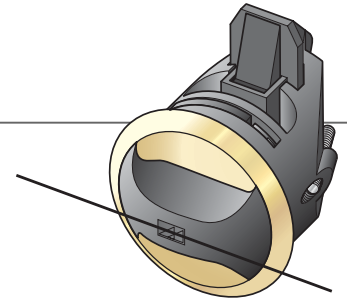
NOVIBRA TYPE 2 (FOR DOORS) PART NUMBERS

Body Color Black						Body Color White					
Cup Color	Black	White	Chrome	Diamond Brass	Satin	Cup Color	Black	White	Chrome	Diamond Brass	Satin
Handle Color						Handle Color					
Black	MP-02-103-555	MP-02-103-575	MP-02-103-515	MP-02-103-545	MP-02-103-525	Black	MP-02-103-755	MP-02-103-775	MP-02-103-715	MP-02-103-745	MP-02-103-725
White	MP-02-103-557	MP-02-103-577	MP-02-103-517	MP-02-103-547	MP-02-103-527	White	MP-02-103-757	MP-02-103-777	MP-02-103-717	MP-02-103-747	MP-02-103-727
Chrome	MP-02-103-551	MP-02-103-571	MP-02-103-511	MP-02-103-541	MP-02-103-521	Chrome	MP-02-103-751	MP-02-103-771	MP-02-103-711	MP-02-103-741	MP-02-103-721
Diamond Brass	MP-02-103-554	MP-02-103-574	MP-02-103-514	MP-02-103-544	MP-02-103-524	Diamond Brass	MP-02-103-754	MP-02-103-774	MP-02-103-714	MP-02-103-744	MP-02-103-724
Satin	MP-02-103-552	MP-02-103-572	MP-02-103-512	MP-02-103-542	MP-02-103-522	Satin	MP-02-103-752	MP-02-103-772	MP-02-103-712	MP-02-103-742	MP-02-103-722

Panel Preparations



	Imperial		Metric
	Nominal	Decimal	
A	2	2	50
B min.	1/8	.118	3
B max	7/8	.875	22.5
C min.	7/8	.875	23
C max	1 5/16	1.313	33
D	1 7/32	1.219	31
E	1 33/64	1.516	38.5



Type 1 (For drawers)

Type 2 (For doors)

Installation

